



AUSTRALIAN CUSTOMS SERVICE

05 DEC 94 15:33

APPLICATION FOR A TARIFF CONCESSION ORDER (TCO)

Please read carefully before completing the form

- 1 Section 269F of the *Customs Act 1901* requires a TCO application to be in an "approved form", contain such information as the form requires, and be signed in the manner indicated in the form. **THIS IS THE APPROVED FORM FOR THE PURPOSES OF THAT SECTION. EVERY QUESTION MUST BE ANSWERED.**
- 2 It is strongly recommended that, before lodging the application, applicants seek out local manufacturers and negotiate a suitable description of goods for the making of a TCO.
- 3 Failure to supply the information required by this form may result in rejection of the application and consequential loss of operative date.
- 4 **Where there is insufficient space, answers may be provided by attachment, which should clearly identify the question to which the attachment relates.**
- 5 Unless otherwise specified, all information provided should be based on the situation 28 days prior to lodgement of the application.
- 6 An application will be date stamped on the day it is first received in Canberra by an officer of Customs. Any resultant TCO comes into force 28 days before that day.
- 7 Further information on the Tariff Concession System (TCS) is available in Part XVA of the *Customs Act 1901*, the foreword to the Schedule of Concessional Instruments, the administrative guidelines in Volume 13 of the Australian Customs Service Manual, the Tariff Concession System brochure, or by phoning (06)275 6666.
- 8 Customs may require an applicant to substantiate with documentary evidence any information provided on the application form.

APPLICANT DETAILS *(Note: The applicant's name will be published in the Gazette)*

Applicant's Name PHILIPS PUBLIC TELECOMMUNICATION SYSTEMS		ACN 008 445 743
Postal address 745 SPRINGVALE ROAD, MULGRAVE, VICTORIA, 3170		
Applicant's Reference 9PSGO	Owner Code 1535496K	
Company Contact <small>s47F</small>	Position Held <small>s47F</small>	
Phone Number <small>s47F</small>	Facsimile Number (03) 9574 3577	

AGENT/BROKER DETAILS *(if applicable)*

Name of Agent PHILIPS ELECTRONICS AUSTRALIA LTD		
ACN 008 445 743	Agent's Reference	
Postal address P.O. BOX 125, CONCORD WEST, NSW, 2140		
Agency <small>s47F</small>	Phone <small>s47F</small>	Facsimile Number (02) 7428447

MARKET INFORMATION

(Note: Unsubstantiated information or assertions will be given little weight when assessing applications. This information will be balanced against any objections raised by local manufacturers.)

7 Identify and describe the market(s) into which the goods for which a TCO is sought are, or can be, sold in Australia.
CABLE TELEVISION MARKET, BROADBAND TRANSMISSION
0 TO 750MHz FREQUENCY

8 Indicate the size of the total market(s) described in Question 7 (includes imported and substitutable goods). Where possible this should be the last 12 month period for which figures are available.

GROSS SALES REVENUE \$ UNITS SOLD Number PERIOD Mth Yr 19 TO Mth Yr 19

9 In terms of gross sales per annum, what are the percentages of the total market currently held by:

- (a) Locally produced substitutable goods %
 - (b) Imported goods as described in this application %
 - (c) Other imported goods %
- TOTAL 100%

10 What percentage of the total market is likely to be held by locally produced substitutable goods if a TCO is granted?

%

11 With reference to Question 10, provide a complete explanation of:

- a) how the effect on market share was assessed **NO LOCAL MANUFACTURE NOT APPLICABLE**
- b) why this is considered to be not significantly adverse **NA**

12 Average unit selling price or price range of the goods described in question 1

DDP (FIS) \$ Retail \$

13 Average unit selling price or price range of the locally produced substitutable goods

Wholesale \$ Retail \$

16 Provide a complete explanation of how the answers to Questions 8, 9, 12 and 13 were compiled.

MARKETING AND SALES FIGURES OBTAINED FROM PAST HISTORY AND CURRENT ORDER FORECAST, CABLE TELEVISION BEING A NEW INDUSTRY IN AUSTRALIA, THE FIRST IMPORTS BY PHILIPS IN MAY 1994 AS NO LOCAL MANUFACTURERS CONSIDER WE HAVE OF MARKET OPTUS HAVING THE BALANCE

Provide any additional information in support of your application

THIS APPLICATION IS IN RESPONSE TO ACN 95/69
AND COVERS THE CURRENT TCO 9404094
WHICH IS TO BE REVOKED.

I, ^{s47F}	Position Held ^{s47F}
Company (if applicable) PHILIPS ELECTRONICS AUSTRALIA LTD	
declare that:	
1 To the best of my knowledge and belief the information contained in this submission is correct;	
2 I have the authority to act on behalf of the company/applicant;	
Signature of Applicant/Agent/Broker ^{s47F}	^{s47F} 29/11/1995

NOTE: SECTION 234 OF THE CUSTOMS ACT 1901 PROVIDES THAT IT IS AN OFFENCE TO MAKE A STATEMENT TO AN OFFICER THAT IS FALSE OR MISLEADING IN A MATERIAL PARTICULAR.

WHEN THIS FORM HAS BEEN COMPLETED LODGE IT WITH CUSTOMS BY:

- posting it by prepaid post to the National Manager, Industry Branch, Australian Customs Service, Customs House, 5 Constitution Avenue, CANBERRA ACT 2601; or
- leaving it in the box provided in the foyer of Customs House, Canberra; or
- sending it by facsimile to (06) 275 6376.

DESCRIPTION OF GOODS

1 Description of the goods

This description will be used as the description of goods in a TCO. Before describing the goods applicants should consult the ACS guidelines on the drafting of TCOs in Volume 13, Appendix H, of the Australian Customs Service Manual.

A description which includes brand names, trade names, model numbers or ambiguous terminology may be rejected.

A description which is excessively detailed or specific may result in the TCO not applying to goods when imported.

POWER SUPPLIES, HAVING ALL THE FOLLOWING:-

(a) MODULAR, FULLY ISOLATED FROM ALL RF CIRCUITRY;

(b) THREE LEVELS OF SURGE PROTECTION, TRANSIENT, SNEATH

AND OVERVOLTAGE;

(c) FERRORESONANT TRANSFORMER 90% EFFICIENT

Attach all technical or illustrative descriptive matter and, where appropriate, provide a sample of the goods to enable accurate identification of the goods being imported.

2 Tariff Classification (to subheading level - ie 8 figures) General Duty rate %

If a Tariff Advice for the goods has been sought or obtained, please provide TA No. or attach a copy.

3 Describe ALL uses (including design uses) to which the goods can be put

CHANGE AC POWER TRANSPORTED OVER CABLE NETWORK TO

DC POWER REQUIRED TO POWER RADIO FREQUENCY MAINSTATION

SUBSTITUTABLE GOODS

Note: Local Manufacturers' goods are substitutable when they are put to a use that corresponds with a use (including a design use) to which the goods the subject of the application can be put (*Customs Act 1901* ss269B.(1)). "Substitutable goods" are not limited to identical goods or even to similar goods. Applications which fail to identify substitutable goods may be rejected.

4 Describe any substitutable goods (or identify why locally manufactured goods are not substitutable)

NO LOCAL MANUFACTURER TCO APPLIED FOR IN JULY 1994

NO OBJECTORS. NO REQUESTS FOR REVOCATION SINCE ISSUE.

5 Provide the names and addresses of the local manufacturers of those goods

N.A.

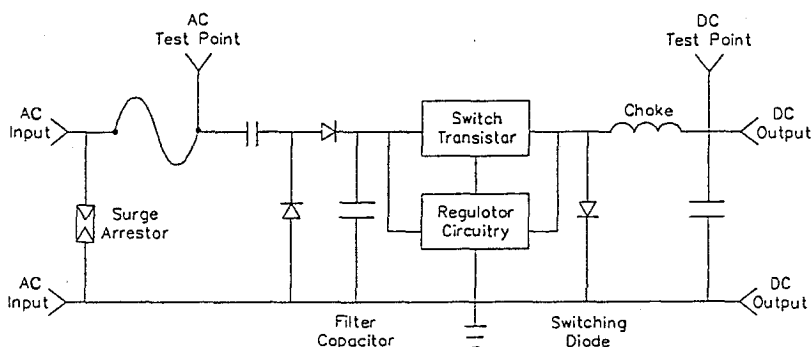
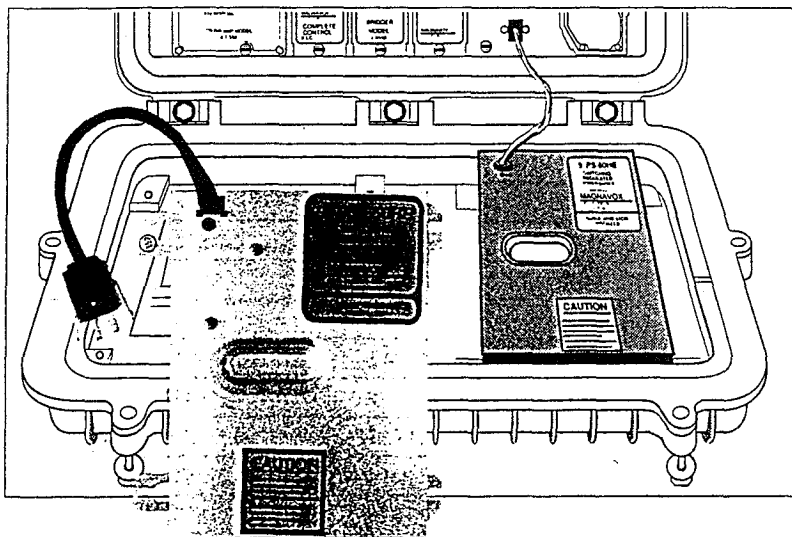
6 What steps were taken to determine or contact local manufacturers

N.A.

4

MAGNAVOX

CATV SYSTEMS, INC.

POWER SUPPLIES**9- and 8-PS Series**

The Power Supply changes AC transported over the cable into DC required to power the mainstation's modules.

- The 90% efficient 9- PS-60HE and 8-PS-60HE are the industry's top performers.
- Three levels of surge protection guard against equipment damage: transient, sheath, and overvoltage.
- High efficiency means you need fewer line power supplies.
- Fits into 4-, 5-, 6- and 7-TH Series housings.

The 9- and 8-PS Power Supplies change alternating current input voltage into a highly regulated, 24 Volts direct current output to power all active modules in the mainstation. Mounted in the housing lid, the power supply is fully isolated from all RF circuitry. A four-wire cable connects the power supply to your mainstation's interconnection chassis.

Our 9- and 8-PS Power Supplies are switching regulated. Because this type of power supply's main power transistor is on during only a fraction of the unit's cycle period, the unit dissipates very little of the input power it receives within itself, thus making it very efficient.

In fact, our 9- and 8-PS-60HE Power Supplies are 90% efficient and can cut your power costs by up to 25% over competitive, switching-regulated power supplies. Because these power supplies are so efficient, you'll need fewer line power supplies.

The 9- and 8-PS Power Supplies have input protection circuitry containing metal-oxide varistor (MOV) transient voltage suppression devices. Designed to supply the added power required for all feedforward and Power Doubling™ amplifiers, the 9- and 8-PS can power any Magnavox mainstation, regardless of the equipment it contains. Test points let you check AC and regulated DC without removing the power supply's cover.

If you rotate the lid of a 7-TH Housing, you will need to order a power cord extension kit.

3

MAGNAVOX

CATV SYSTEMS, INC.



9- and 8-PS Power Supply Specifications*

	Notes	9-PS-60HE	8-PS-60HE	8-PS-60	Units
Input Voltage					
60 Hz, Quasi-Square Wave	a	43-72	34-72	38-72	VAC RMS
60 Hz, Sine Wave	a	40-72	30-72	38-72	VAC RMS
50 Hz, Quasi-Square Wave	a	47-72	38-72	38-72	VAC RMS
50 Hz, Sine Wave	a	44-72	34-72	38-72	VAC RMS
Maximum Continuous Input Voltage		350	350	350	Volts (peak-to-peak)
Output Voltage		23.5-24.5	23.5 - 24.5	23.5 - 24.5	VDC
Output Overvoltage Protection		35	35	35	Volts (max.)
Output Current		1 - 5	0.3 - 2.7	0.3 - 2.5	Amps DC
Output Current Limit		5.5	3.4	2.8	Amps DC
Inrush Current (1 cycle @ 60 VAC peak)		8	8	8	Amps
Surge Rating (peak-to-peak for 10 sec.)		400	400	400	Volts
Transient Load Response Time		5	5	5	mSec
Output Ripple (0 to 100 kHz)		6	4	8	mV RMS
Output Spike Noise (peak max.)		32	32	32	mV
Input Power	b	$P_{in} \cong 27 \times I_{out}$	$P_{in} \cong 27 \times I_{out}$	$P_{in} \cong 30 \times I_{out}$	Watts
Input Current	b	$I_{in} \cong .62 \times I_{out}$	$I_{in} \cong .62 \times I_{out}$	$I_{in} \cong .70 \times I_{out}$	Amps

*All specifications are subject to change without notice.

Notes:

- Under full load.
- For 60 VAC, quasi-square wave, 50 or 60 Hz systems.
 I_{in} = input current for typical application.
 P_{in} = input power for typical application.
 I_{out} = load current at +24 VDC.

Ordering Information

Model	Description
9-PS-60HE	90% typical efficiency, 5 Amp DC maximum output, switching-regulated mainstation power supply.
8-PS-60HE	90% typical efficiency, 2.7 Amp DC maximum output, switching-regulated mainstation power supply.
8-PS-60	80% typical efficiency, switching-regulated mainstation power supply.
8-PS-EXT-KIT	Power cord extension kit for use with these power supplies: 9-PS60-HE, 8-PS-60 model 3000113, or 8-PS-60HE model 3000112 or 3000114. Needed when rotating the lid of a 7-TH Housing. Includes extension cord, clamp, and lid label.